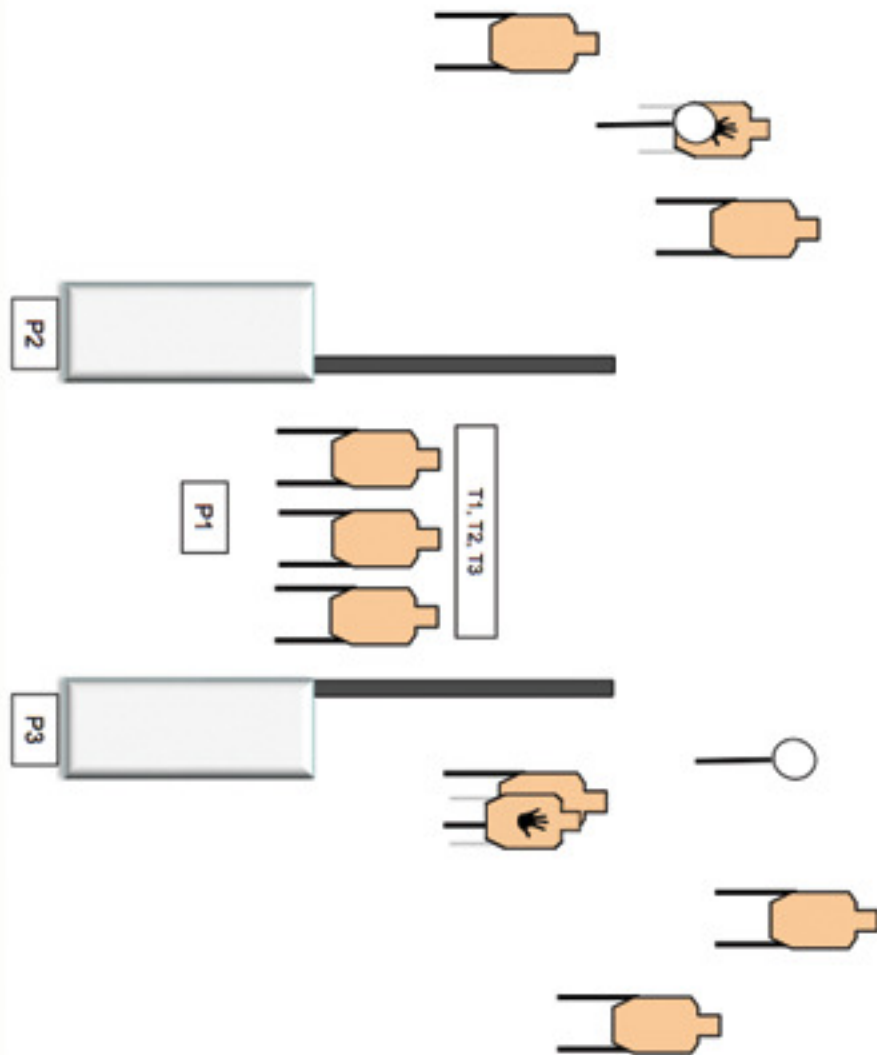


STAGE 5

THE CONCERT



BAY 3B

STAGE 5

Scoring: Vickers
Round Count: 18
Targets: 8 IDPA 2 NS 2 Steel
Concealment Garment: Required

SCENARIO: You are visiting downtown concert when things turn from great to worse.

START POSITION: Standing at P1 (within arms reach of T2, centered on T2) with hands in surrender position. Pistol holstered and loaded to division capacity.

PROCEDURE: At the signal, engage T1-T3 in tactical sequence with 2 rounds each while retreating to P2 or P3 (your choice) and engage remaining targets in tactical priority with at least 2 rounds each while utilizing cover. Move to the opposite side barricade and engage targets with at least 2 rounds each utilizing cover. Steel must fall.

Any IDPA legal reload is available.

